



The FPCV check valve embodies all the features of the WPCV valve, with bolted flanged ends which provide standard valve face to face dimensions to suit either ASME or DIN process lines.

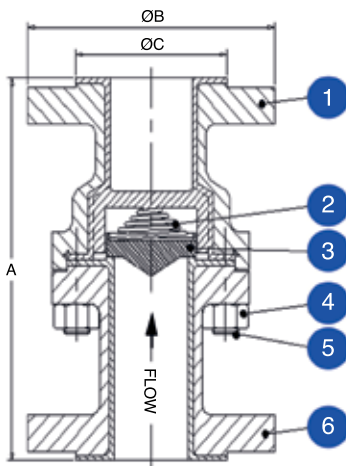
Product Features

- Flanged connection for installations not compatible with the wafer design
- All the features of the WPCV
- Standard face to face dimensions
- Design suitable for both horizontal and vertical installation
- Poppet lift pressure (cracking) 1.4mBar - but customized ratings available

Materials Specification

Item	Qty	Description	Materials	Specification
1	1	Valve Body	Carbon Steel PFA	ASTM A216 Gr. WCB ASTM D3307
2	1	Spring	Hastelloy C276	ASTM B574 Grade UNS N10276
3	1	Poppet	PTFE	BS6564 UA 1/1
4	4*	Nut	Stainless Steel	ASTM F594 Gr. 304
5	4*	Stud	Stainless Steel	BS970 Pt 1 Gr. 303S42
6	1	Valve Inlet	Carbon Steel PFA	ASTM A216 Gr. WCB ASTM D3307
		Paint Finish	125µ Blue Semi-Gloss	Epoxy

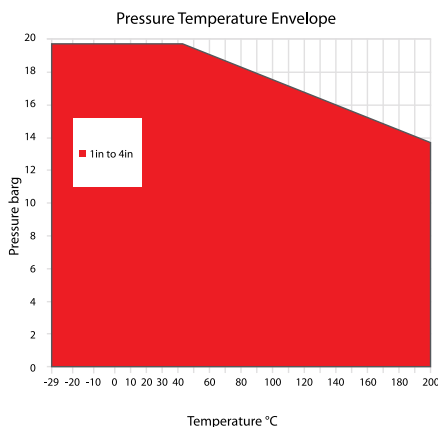
*On the 3" and 4" NB valve there are 6 off studs and nuts.



Dimensions

Nominal Bore		Face to Face	Flange Diameter	Rised Face	Weight
ASME 150 Piping Systems					
Inches	mm	Dim A mm	Dim B mm	Dim C mm	Kg
1	25	152	108	51	3
1½	40	178	127	73	7
2	50	203	152	92	10
3	80	241	190	127	18
4	100	292	229	152	28
DIN PN 10 / 16 Piping Systems*					
Inches	mm	Dim A mm	Dim B mm	Dim C mm	Kg
1	25	160	115	51	4
1½	40	200	150	73	7
2	50	230	165	92	10
3	80	310	200	127	20
4	100	350	220	152	30

*The DIN version of the valve is a fabricated construction.



Options

Component	Description
Body	Stainless steel
Length	Special face to face dimensions
Spring	Alternative pressure ratings
	PTFE encapsulated, alternative spring materials, spring removed (floating poppet)