

## ALMARC TUBULAR SIGHT GLASS



Almarc Tubular Sight Glass are used widely in the Pharmaceutical, Chemical Process, Food and Beverage Industries where Visual Monitoring of media is Important and Necessary.

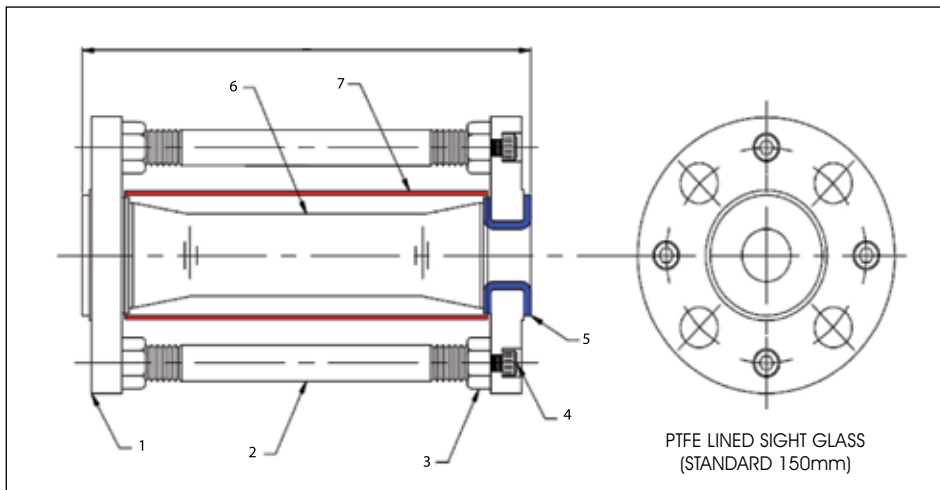
Using \*Borosilicate Glass Type 3.3 which is in accordance with international standard ISO3585. It is resistant to corrosion as all wetted parts are in contact with the Glass and the PTFE Liner.

Almarc Tubular Sight Glass are fully assembled and hydro-tested in our workshop/factory in Singapore.

### Features:

- 360° Visual Flow Indication
- All Wetted Parts in Borosilicate Glass and Virgin White PTFE
- Unrestricted Full Bore Flow
- Ease of Installation
- Acrylic Safety Shield as Standard
- SS316 ANSI #150 Flange and Tie Rods
- SS316 Jam Nut

ITEM	DESCRIPTION	QUANTITY
1	Flange, Ansi #150, SS316	2
2	Tie Rod, SS316	4
3	Jam Nut SS316	8
4	Allen Screw, SS316	8
5	Liner, PTFE	2
6	Borosilicate Glass Type 3.3	1
7	Clear Plexiglass Extruded XT Tube	1



PART No	ASGT-1/2"	ASGT-3/4"	ASGT-1"	ASGT-1 1/2"	ASGT-2"	ASGT-3"	ASGT-4"
Size / #150	1/2"	3/4"	1"	1 1/2"	2"	3"	4"
L (mm)	182	185	188	194	197	207	207
Operating Pressure (BAR)	4	4	4	4	4	3	2

Higher operating pressure is available upon request.